

Name:

Student number:

Re-Exam 2, Module 7, Study Unit 202001361 Languages & Machines
Friday, April 15, 2021, 13:45 - 15:45

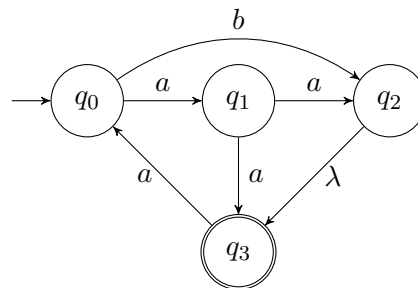
This second exam of Module 7 consists of the **Languages & Machines part** only, and is a **2h exam**.

You are allowed to use a handwritten cheat sheet (A4, double sided) during the exam.

After you finished your exam, take pictures of all pages and upload them as **one PDF** to the canvas assignment for this exam.

If you intend to leave before 15:45, then quietly come with your exam to the front and take the pictures there. Otherwise, please wait for our announcement at the end of the exam.

1. (8 points) Consider the following NFA- λ , M (only q_3 is accepting):



- (a) Does the automaton accept the word $aabaa$?

If yes, provide a sequence of states with which the automaton can accept the word.
If no, provide a sequence of states with which the automaton rejects the word.

No. A potential rejecting state sequence is:

Yes. The sequence of states is:

Does the automaton accept the word aaa ?

If yes, provide a sequence of states with which the automaton can accept the word.
If no, provide a sequence of states with which the automaton rejects the word.

No. A potential state rejecting sequence is:

Yes. The sequence of states is:

Name:

Student number:

- (b) Transform the automaton M step by step to a regular expression.
States must be eliminated in the order q_1, q_2 .

After elimination of q_1 :

After elimination of q_2

Thus, the regular expression obtained is:

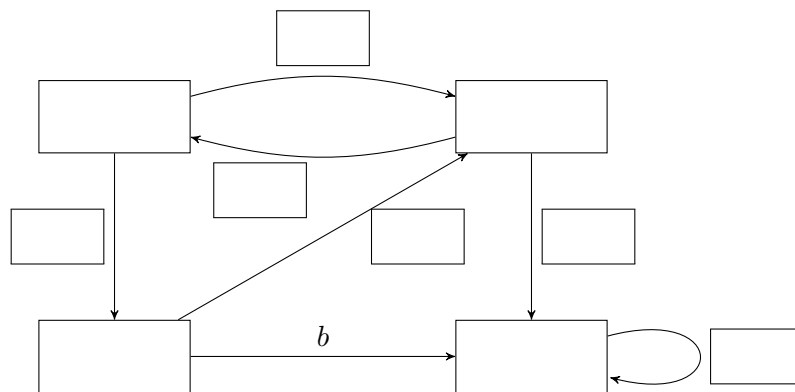
Name:

Student number:

(c) Fill in the following table with the λ -closure and input-transition function of M .

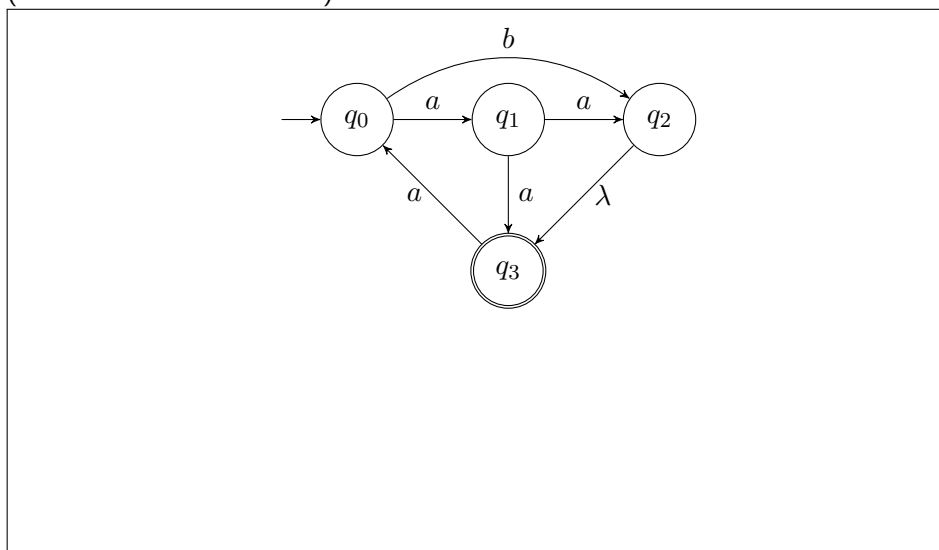
	λ -closure	a	b
q_0			
q_1			
q_2			
q_3			

(d) The following incomplete DFA accepts the same language as M .



- i. Mark the initial state.
- ii. Mark the accepting state/the accepting states.
- iii. Label the states with the set of λ -NFA states they represent.
- iv. Complete the white boxes at the transitions.

(e) Modify the λ -NFA in the figure below such that the empty word is also in its language (but no further new words).



2. (8 points) For each of the following languages, indicate whether it is

- A: regular
- B: context-free but not regular
- C: recursive but not context-free
- D: recursively enumerable but not recursive
- E: not recursively enumerable

For each correct answer, you will get 1 point. For each incorrect answer, you will lose 1 point. For no answer, you get 0 points. The total points of this exercise will not become negative.

No further explanation is required.

- Language $L_1 := \{w \mid w \text{ encodes a Turing machine which never writes the sequence } acc\}$
- Language $L_2 := \{a^{2i}b^j a^{2i}b^{5j} \mid i \geq 0, j \geq 0\}$
- Language $L_3 := \{a^i b^j c^k \mid i \text{ odd}, j \text{ even}\}$
- Language $L_4 := \{w \mid w \text{ encodes a Turing machine which writes the sequence } ccc\}$
- Language $L_5 := \{b^{2j} c^i b^j (cb)^i \mid 0 \leq i \leq 100000 \text{ and } 0 \leq j \leq 4i\}$
- Language $L_6 := \{a^{i+1} c b^{i+2} \mid 0 \leq i\}$
- Language $L_7 := \mathcal{L}(a^* b^* \cup \lambda)$
- Language $L_8 := \{a^i b^j c^k \mid 0 \leq i \leq j \leq k\}$

Name:

Student number:

3. (5 points) Consider the following languages

- $L_1 = \mathcal{L}(a^*b^*)$
- $L_2 = \mathcal{L}(c^*d^*)$
- $L_3 = \{w \in \{a, b\}^* \mid |w| \text{ is prime} \}$

Which of the following languages are regular? Mark languages for which this is the case with Y and mark those for which this does not hold with N . Leave out the answer if you do not know. Correct answers yield 1 point, for incorrect answers you loose 1 point. For no answer, you get 0 points. In total, you cannot get less than 0 points for this question.

-] The language of words of L_1 which end with ab
-] $L_1 \setminus L_3$
-] $L_2 \setminus L_3$
-] $\overline{L_1}$
-] $L_1 \cup L_3$

4. (10 points) Consider the following context-free grammar G :

$$G = \begin{cases} S \rightarrow ABC \mid \lambda \mid AB \\ A \rightarrow aaA \mid a \\ B \rightarrow aCb \\ C \rightarrow cC \mid a \end{cases}$$

(a) Complete following grammar G' in Chomsky Normal form such that it is equivalent to G .

$$G' = \begin{cases} S \rightarrow \boxed{} \mid \lambda \mid AB \\ D \rightarrow \boxed{} \\ A \rightarrow \boxed{} \mid a \\ E \rightarrow a \\ F \rightarrow \boxed{} \\ \boxed{} \rightarrow EH \\ H \rightarrow \boxed{} \\ I \rightarrow \boxed{} \\ C \rightarrow \boxed{} \mid a \\ K \rightarrow c \end{cases}$$

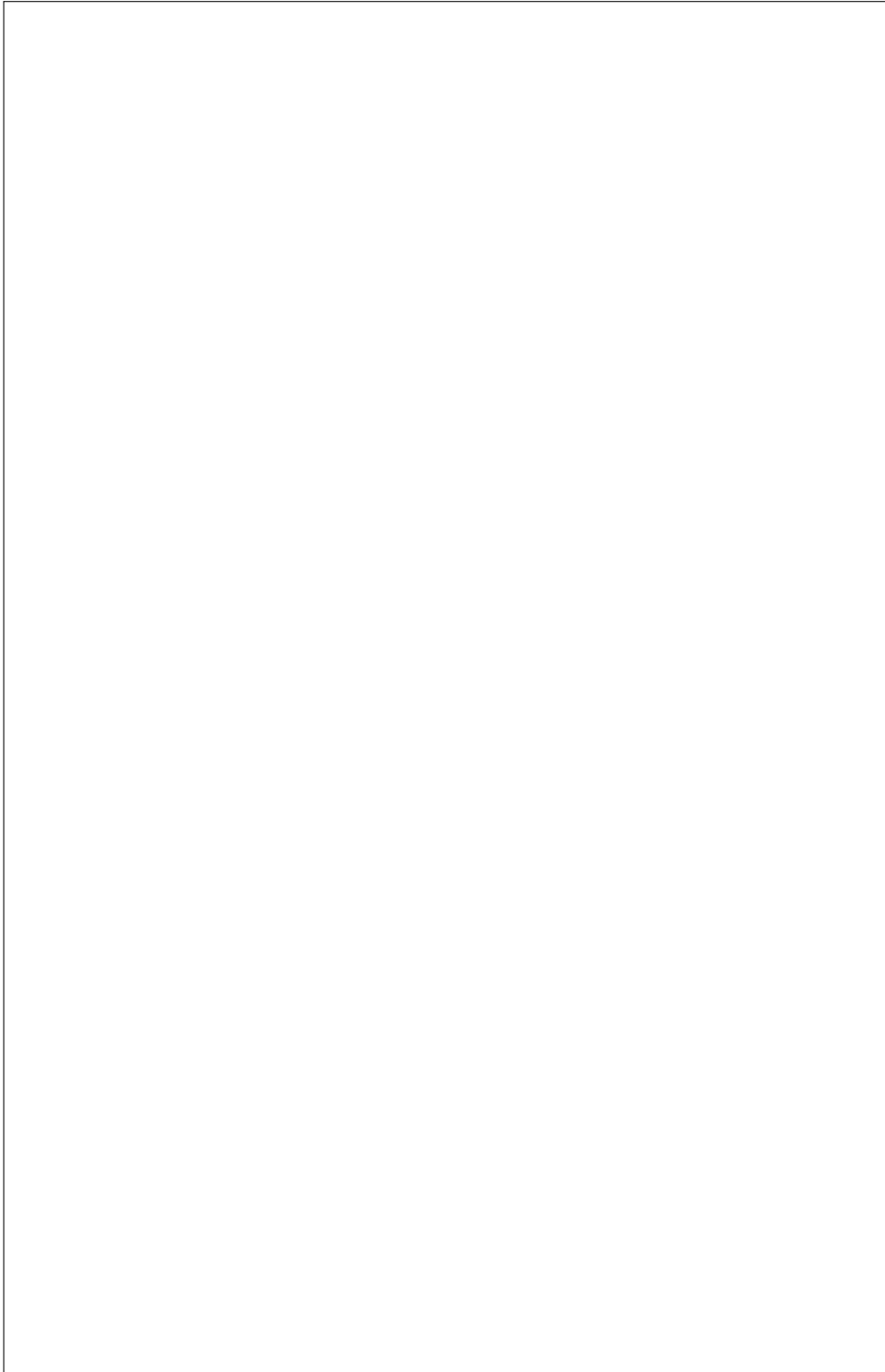
(b) Let $w = aaab$. Use the table below to apply the CYK-algorithm (after Cocke-Younger-Kasami) to decide whether $w \in \mathcal{L}(G')$.

	1	2	3	4
1				
2				
3				
4				

Name:

Student number:

Use the results of the CYK-algorithm to provide a derivation tree of G' for w :



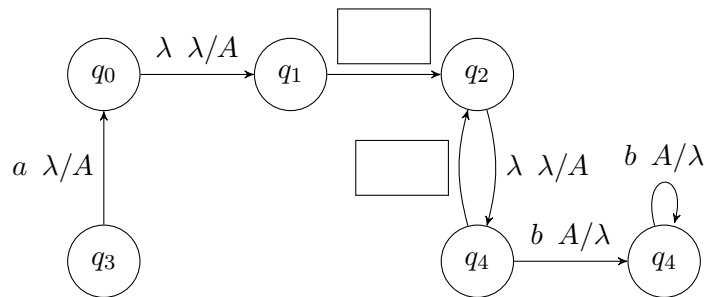
Name: _____

Student number: _____

5. (8 points) Consider the context-free language $L = \{a^i b^{2i+2} \mid i > 0\}$.

(a) Give a context-free grammar G in Greibach Normal form for L .

(b) Consider the following incomplete non-extended, deterministic PDA.



Complete the automaton such that it accepts L . Note that we require this to be a deterministic, non-extended PDA. Only the symbol A may be pushed on the stack.

- i. Mark the initial state
- ii. Mark the accepting state or states.
- iii. Fill in the two white boxes.

Name:

Student number:

6. (5 points) Prove or disprove: the language $L := \{a^i b^i c^i \mid i \geq 0, i = 2^n \text{ for some } n \geq 0\}$ is context-free.

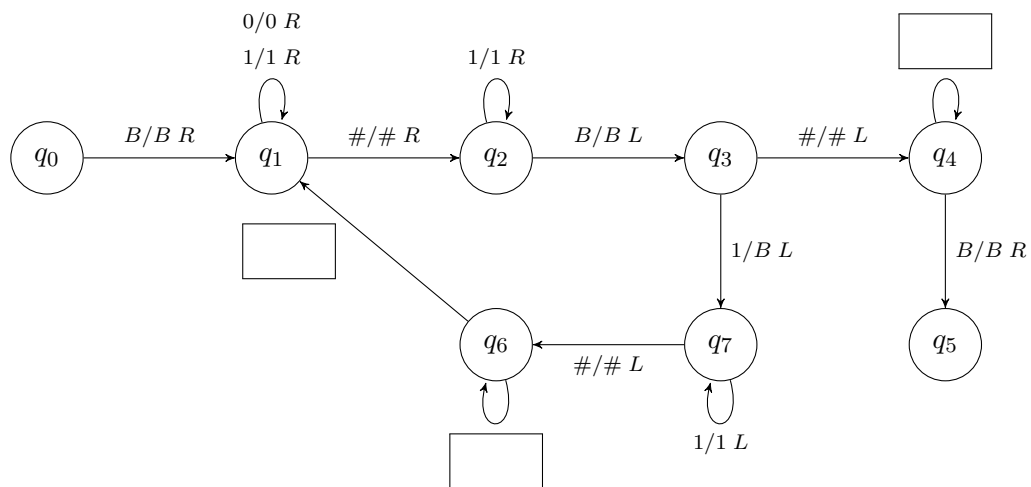
7. (6 points) Consider the language L over the alphabet $\Sigma = \{0, 1, \#\}$ with

$$L := \{w\#1^i \mid w \in \{0, 1\}^* \text{ and } i = 2^{|w|} - \text{val}(w) - 1\}$$

where $\text{val}(w)$ is the value of w interpreted as a binary number. Thus, for instance $\text{val}(01101) = 0 \cdot 2^4 + 1 \cdot 2^3 + 1 \cdot 2^2 + 0 \cdot 2^1 + 1 \cdot 2^0 = 13$ (and $|w| = 5$). We have for instance

- $101\#11 \in L$
- $101\#11111\# \notin L$
- $000\# \notin L$
- $0101\#11 \notin L$
- $1101\#11 \in L$
- $\# \in L$

Consider the following incomplete Turing machine to decide this language.



- (a) Mark the state which should be initial.
- (b) Mark the state or the states which should be accepting.
- (c) Fill in the white boxes in the automaton figure.
- (d) Decide what the following states do. Choose from the list of provided options

- state q_2 :
- state q_4 :
- state q_5 :
- state q_6 :

Possible options:

- i All 1s on the right side of the $\#$ have been removed. Thus, check whether there are only 1s on the left side of the $\#$ remaining.
- ii Remove rightmost 1 and move on. If all 1s at right side of $\#$ have been removed, prepare checking that there are only 1s on the left side of the $\#$.
- iii The structure of the word is fine, we have reached a blank left of the word and accept.
- iv Read blank character the machine head initially points at to start reading the word.
- v We want to increment w by 1. As long as we see 1s, we replace them by 0s and go to the left. As soon as we see a 0, we replace it by a 1 and go to the next round.
- vi Search for the right end of the sequence of 1 at the right side of $\#$.
- vii We have just removed the rightmost 1. Thus, we search for the $\#$ symbol in order to increment the w on its left side.
- viii Read over the binary encoding part w of the input and search for the $\#$.

Name:

Student number:

Notes:

Name:

Student number:

Notes:

Name:

Student number:

Notes:

Name:

Student number:

Notes:

Name:

Student number:

Notes: